

***Thermador***

**SERVICE MANUAL**

**TRADE WIND  
HOODS &  
VENTILATORS**

**MODELS VCH-3,  
VCH-8 & 9, H-64  
& H-65 - VM-410**

# INDEX

---

<u>UNITS</u>	<u>INSTRUCTIONS</u>	<u>REPLACEABLE PARTS</u>
HOOD VENTILATOR VM-410 . . . . .	2 . . . . .	3
VENTILATOR CONTROL VCH-3 . . . . .	4-5 . . . . .	6
VENTILATOR CONTROL VCH-8,9 . . . . .	7-8 . . . . .	9
HOODS H-64. . . . .	.10-11. . . . .	12
HOODS H-65. . . . .	.13-14. . . . .	15
WIRING DIAGRAMS- VCH-3, VCH-8 & 9, H64 & 65. . . . .		16

# INSTRUCTIONS

## Hood Ventilator VM-410

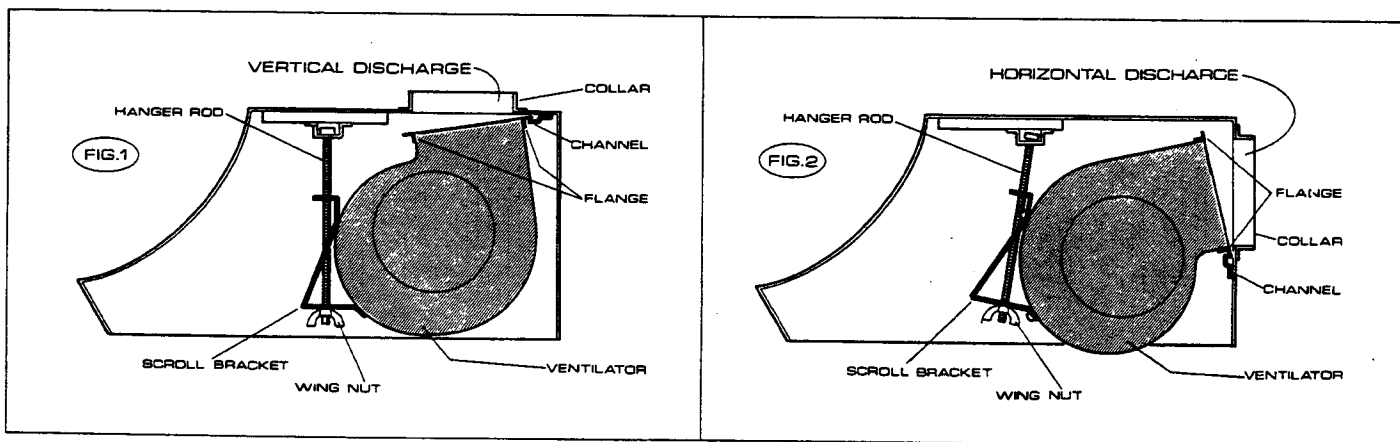
### INSTALLATION INSTRUCTIONS

RECOMMENDED FOR USE ONLY OVER CONVENTIONAL DOMESTIC GAS AND ELECTRIC RANGES  
INSTALL IN ACCORDANCE WITH ALL LOCAL CODES.

This ventilator unit is designed for use with Thermador "Materpiece" Kitchen Exhaust Hoods H64, H65 Service Code (SCA); Ventilator Control Housings VCH8 and VCH9 Service Code (SCA); Thrustpower II Kitchen Exhaust Hoods and VCH3 Ventilator Control Housing Service Code (SCA).

Remove hanger and rod from ventilator unit (taped to bracket) and attach to inside top of hood housing. Locate hanger rod in correct position for particular ventilator and hood combination being installed. Follow instruction label inside housing.

Your new VM410 Hood Ventilator is shipped from the factory with the scroll bracket set up for vertical discharge as shown in Fig. 1. It is easily converted for horizontal discharge (Fig. 2) for all models except the VCH8 and VCH9 control housings which are designed for vertical discharge only. When converting to horizontal discharge, the scroll bracket must be reversed as shown in Fig. 2. Install ventilator into housing by placing flange on edge of ventilator discharge into channel at rear of housing discharge opening. Pivot ventilator upward until hanger rod snaps into slot of scroll bracket. Be sure that wing nut and washer are securely tightened.

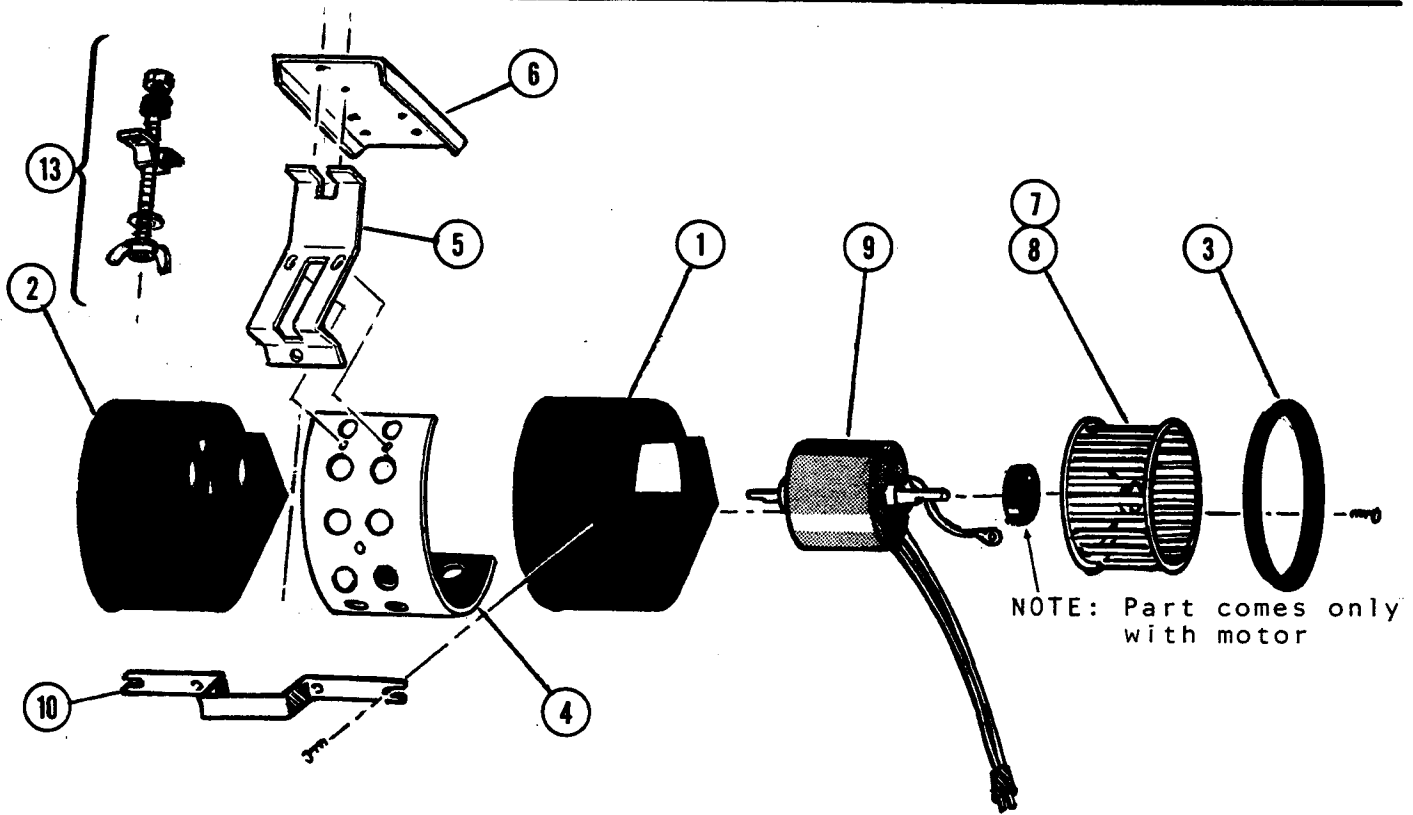


### SERVICE INSTRUCTIONS

1. For maximum ventilator efficiency, clean filters in hood regularly. Grease should not be allowed to accumulate on hood or ventilator surfaces.
2. Clean lint and grease from ventilator blades at regular intervals. Clean entire unit with damp cloth. Be sure no water enters motor as this can cause damage.

# REPLACEMENT PARTS

## Hood Ventilator VM-410



ITEM	PART NUMBER	DESCRIPTION	QUANTITY
1	19-08-027	Right Scroll	1
2	19-08-028	Left Scroll	1
3	19-08-033	Inlet Ring	2
4	19-08-458	Blower Wrapper	1
5	19-08-457	Motor Hanger Bracket	1
6	19-08-444	Blower Mounting Bracket	1
7	19-09-733	Impeller, Clockwise - Right Side	1
8	19-09-734	Impeller, Counter-clockwise- Left Side	1
9	19-09-735	Motor	1
10	19-01-266	Blower Handle	1
11	19-08-001	Shutter Housing*	1
12	19-03-300	Shutter*	1
13	19-08-459	Hanger Bracket Kit	1

\* Not Illustrated

# INSTRUCTIONS

## Control Housing VCH-3

### INSTALLATION INSTRUCTIONS

USE VENTILATOR CONTROL HOUSING IN ANY THRUSTPOWER II HOOD OR CUSTOM HOOD MANUFACTURER BY OTHERS.

#### GENERAL

Before cutting into hood or cabinet, it is necessary to know the correct ventilator to be used with the control housing. This control housing is designed for use with any of three ventilators listed below:

MODEL	VM410	VR600 VR1000
REFER TO	FIG. 1	FIG. 2

#### VR600 DUCTING

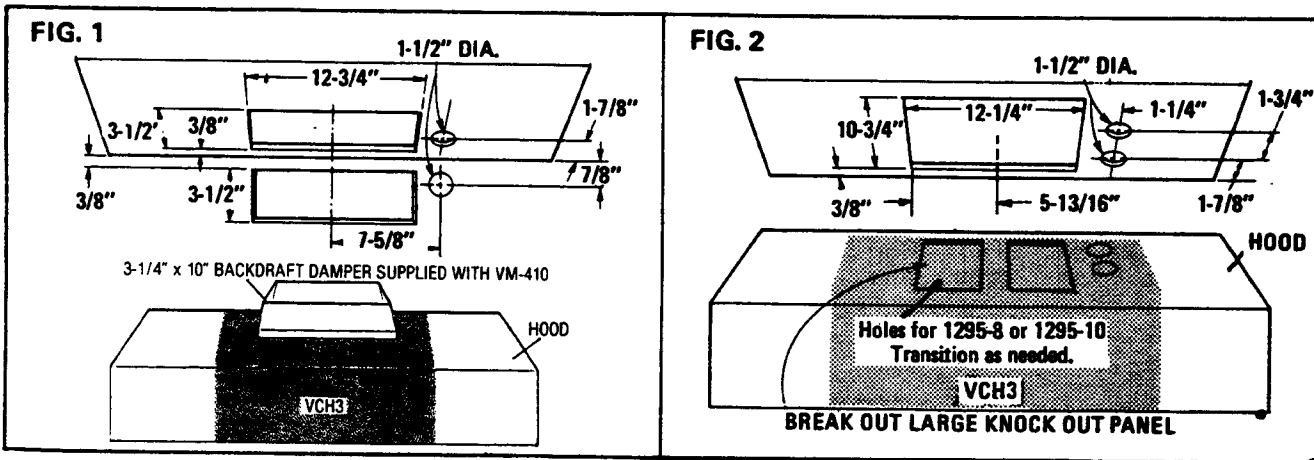
Use 8" round duct with 1295-8 transition at hood. Attach transition to control housing before installation.

#### VR1000 DUCTING

Use 10" round duct with 1295-10 transition at hood. Attach transition to control housing before installation.

#### VM410 DUCTING

Use 3-1/4" x 10" or 7" round with 1255-17 transition at hood. Roof Jack 1255-6 for 3-1/4" x 10" or 7" round. Wall Cap 1255-1 for 3-1/4" x 10" or 1-45 for 7" round duct. Elbow 1255-7 for 3-1/4" x 10".



Recommended height from counter top to top of hood: Over Range or Cooktop — 48" to 54". Over Indoor Barbecue — 54" to 62". Recommended for use only over conventional domestic gas or electric cooking appliances. Not recommended over solid fuel fired barbecues.

#### VENTING

Indoor barbecues must be adequately vented to the outdoors. The hood must cover the grill completely and the intake (ventilator control housing filter) should be centered over the unit. Cross drafts over the unit must be avoided as the smoke must rise into the hood to be vented.

When more than one cooking appliance is installed under a single Hood, two (2) Ventilator Control Housings (Filters) should be installed, centered over each cooking appliance.

A separate Ventilator must be used with each Ventilator Control Housing.

All venting should be installed with the minimum number of elbows and bends.

INSTALLATION MUST COMPLY WITH ALL LOCAL CODES.

Be sure all dampers are free to open.

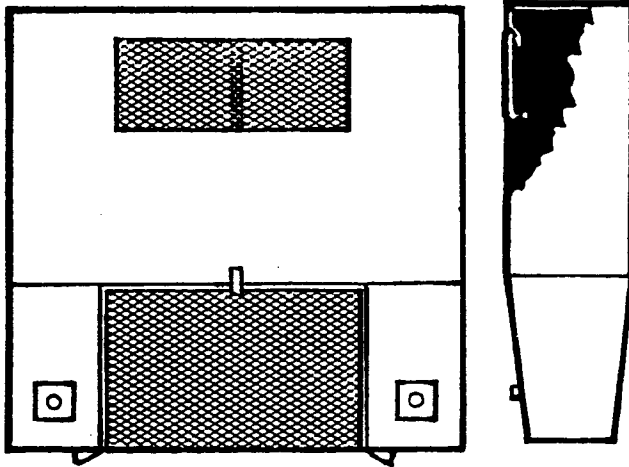
#### PREPARING AND INSTALLING VENTILATOR

The top or back of the hood must have the necessary clearance openings cut into it to match the ventilator housing and the duct and conduit soffit openings prior to installing the VCH3 ventilator housing into the hood. A pattern is supplied to assist in locating these openings. The ventilator housing should be attached to the hood and soffit with the screws provided. It is advisable to secure the top or rear of the ventilator housing to the soffit or wall with screw inside the ventilator housing in the area adjacent to the ventilator (blower) when using the VM410 blower to reduce vibration noise.

Continued over . . .

Connect 120 Volts, 60 Hz. power through rear conduit hole, black to black, white to white, per code.

## FILTER REMOVAL



### LARGE FILTER

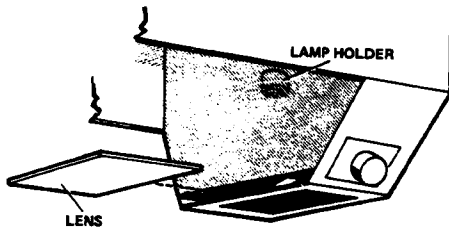
1. Move latches sideways.
2. Lift up front spring and pull filter down.  
Reverse procedure for assembly.

On island or peninsula applications make sure filter is trapped between back spring and housing.

### SMALL FILTER

1. Remove threaded nut.
2. Swing filter out and down.  
Reverse procedure for assembly.

## LENS INSTALLATION AND LAMPS



With filter removed, install 2 100 Watt (Maximum) bulbs.  
Slide glass into opening as indicated, rough side down.  
Assemble filter.

## SERVICE INSTRUCTIONS

1. TO CLEAN THE FILTER - Remove filter as instructed. Filter may be washed in your dishwasher or washed in warm, soapy water, drain and reinstall.
2. TO CLEAN MOTOR AND BLADE UNIT - (VM410 only) - Remove filter and disconnect the blower plug. Loosen wing nut, swing hanger rod out of way of scroll bracket and rotate blower until the mounting flanges come free. Wipe entire unit clean with a damp cloth. Do not use a dripping wet cloth as water may enter the motor and cause damage. To prevent distortion of wheels, always handle blower by handle - not by ends.
3. TO REINSTALL UNIT - Reverse the above procedure.
4. TO CLEAN HOOD SURFACE - Use only mild soap or detergent for cleaning all hood surfaces. Dry surfaces with cloth for maximum lustre.

**CAUTION: DO NOT USE SCOURING OR ABRASIVE CLEANERS AS THESE MAY PERMANENTLY MAR FINISH.**

## VENTILATING HOOD OPERATING INSTRUCTIONS

Your Trade-Wind ventilating hood has been developed as a combination unit for use above the kitchen range.

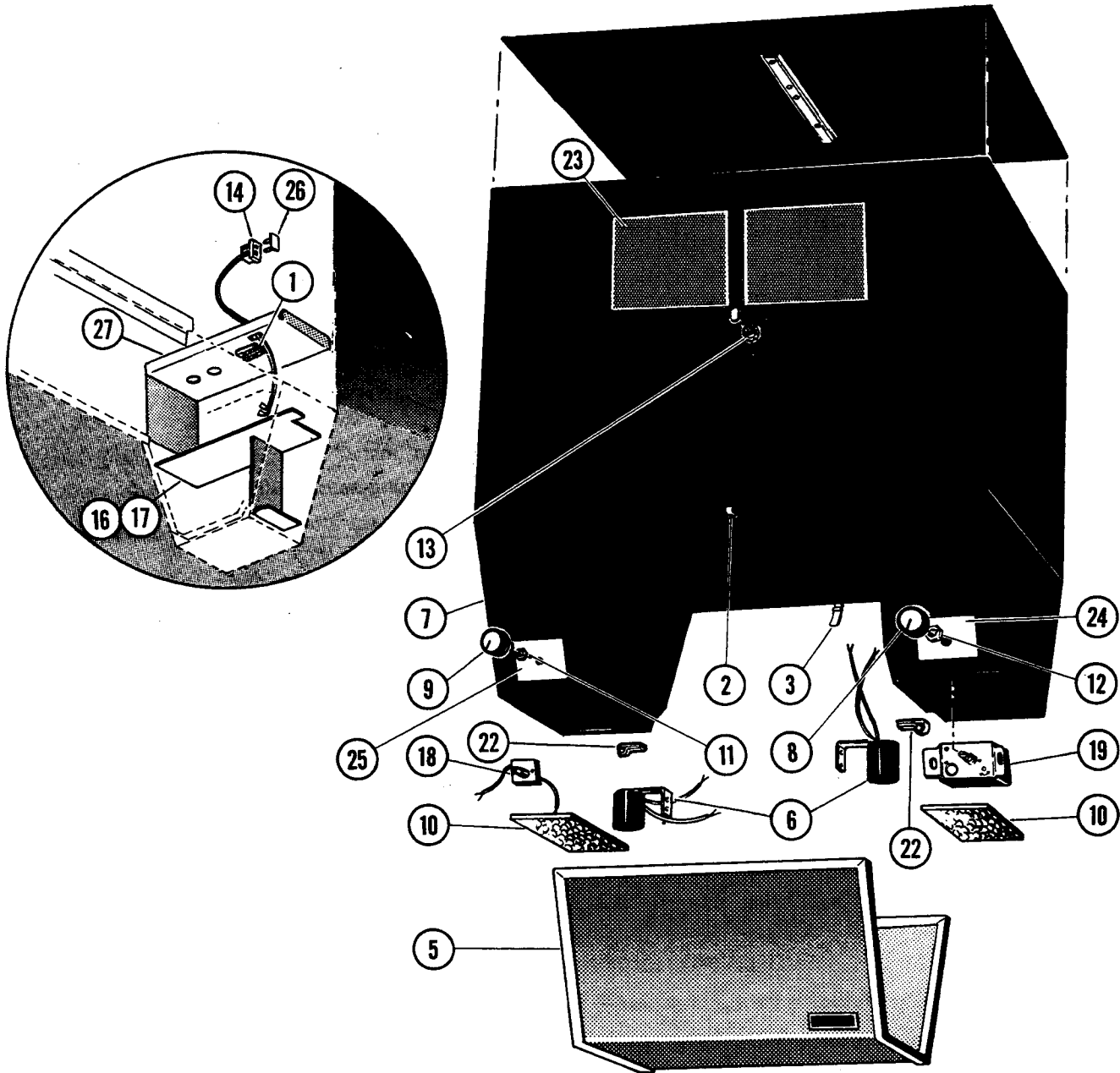
The ventilator should be turned on five minutes before cooking in order to draw the currents of air upward through the hood. Thus when heat, smoke, moisture, grease, and cooking odors arise, they will be carried upward and forced outside, thereby preventing their drift into other rooms.

Drafts across the stove will cause the escape of heat, smoke, moisture, grease, and cooking odors from the hood. Such drafts should be prevented insofar as possible.

The best job of ventilation in the kitchen is done where the only air currents are those created by the ventilator itself.

# REPLACEMENT PARTS

## Control Housing VCH-3



ITEM NO.	PART NO.	DESCRIPTION	QUAN.	ITEM NO.	PART NO.	DESCRIPTION	QUAN.
1	19-08-455	Board, Terminal Assy.	1	14	19-95-044	Outlet, Convenience	1
2	19-19-046	Clip, Filter - Front	1	16	19-08-281	Light Cover Assy. (L.H.)	1
3	19-08-435	Clip, Filter - Rear	1	17	19-08-287	Light Cover Assy. (R.H.)	1
5	19-08-253	Filter Assembly	1	18	19-19-021	Switch, Light	1
6	19-19-020	Holder, Lamp	2	19	19-08-277	Switch, Motor	1
7	19-08-506	Housing, Vent (Weld As.)	1	22	19-19-128	Latch, Filter	2
8	19-09-742	Knob, Exhaust Control	1	23	19-19-150	Filter, Aux.	1
9	19-09-756	Knob, Lights Control	1	24	19-19-016	Nameplate, Contr.Pan.Exh.	1
10	19-19-018	Lens, Glass	2	25	19-19-017	Nameplate, Cont.Pan.Light	1
11	19-19-038	Nut, Light Switch	1	26	19-19-161	Cap, Safety	1
12	19-19-103	Nut, Motor Switch	1	27	19-08-471	Junction Box Weld Assy.	1
13	13-09-328	Nut, Thumb	1				

# INSTRUCTIONS

## Control Housing VCH-8 & 9

### INSTALLATION

USE VENTILATOR CONTROL HOUSING IN ANY THRUSTPOWER HOOD OR CUSTOM HOOD MANUFACTURED BY OTHERS. VERTICAL DISCHARGE ONLY.

Note: Lamp boxes with shades are shipped inside housing. Utilizing six screws provided, attach lamp boxes to top of housing. Secure unit into hood as shown in illustration.

Before cutting into hood or cabinet, it is necessary to know the correct ventilator unit to be used with the control housing. This control housing is designed for use with any of three different ventilators listed in the table below.

#### DUCTING FOR VM410

Cut duct opening through cabinet shelves to required sizes. Use 3 1/4" x 10" rectangular duct, or use No. 1255-7 transition and a 7" round duct. Finish with No. 1255-6 Roof Jack or No. 1255-1 Wall Cap. Make sure that dampers at hood and roof jack are free to open. See Fig. 1. NOTE: Discharge collar shipped with ventilator.

MODEL	CFM	REFER TO
VM410	390	FIG. 1
VR600	525	FIG. 2
VR1000	900	FIG. 2

#### DUCTING FOR VR600 & VR1000

To adapt these units for installation, break out the large knockout panels located on top of unit. See Fig. 2.

For VR600 - Use transition #1295-8, attach to top of VCH unit through holes with screws provided. Complete with 8" diameter duct and elbows (furnished by others).

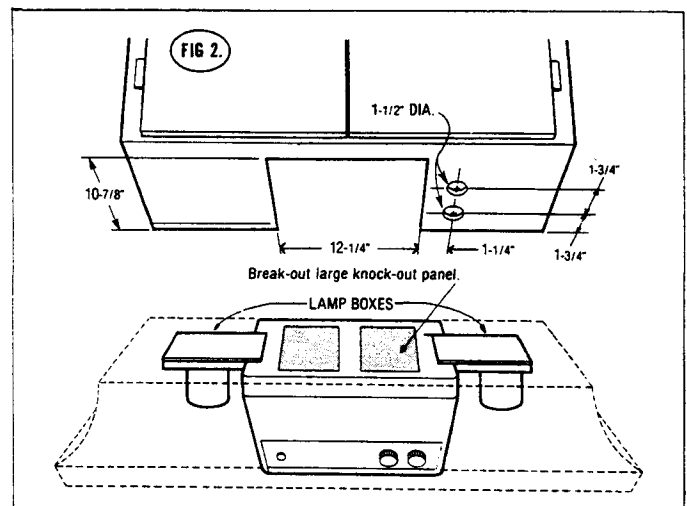
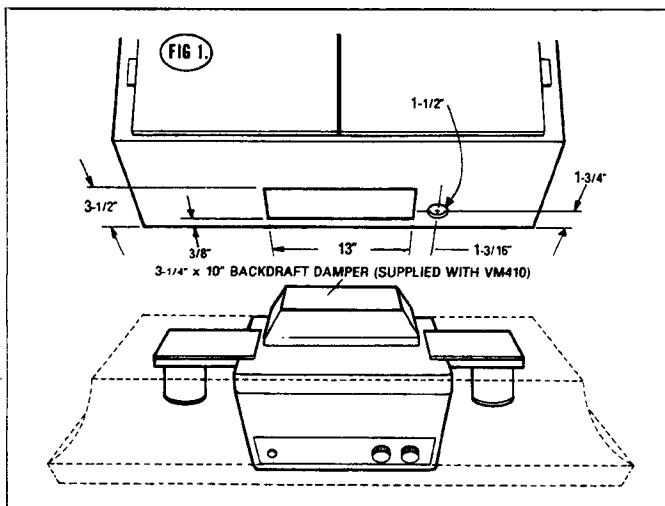
For VR1000 - Use transition #1295-10, attach to top of VCH unit through holes with screws provided. Complete with 10" diameter duct and elbows (furnished by others).

Cut an opening in top of hood matching the cut-outs made in cabinets, shown in illustration. Install hood and secure VCH unit to inside of hood with screws provided. Attach power supply leads (120 volts, 60 Hz.) to rear conduit hole in top of VCH unit. Make electrical connections - black to black and white to white, per code.

Two or more units may be used for extra large hoods, Allow 29 3/4" length for each VCH unit. The VCH unit is 11-15/16" wide at top and 9-3/8" high from top to bottom.

Recommended Installation Height - COUNTERTOP TO TOP OF VCH UNIT: Bottom of cabinet - Over normal countertop, range, Thermador Griddle 'n Grill, etc. — 30" to 40". Over Indoor Barbecue - 40" to 48". Recommended for use only over conventional domestic gas or electric appliances. Not recommended over solid fuel fired barbecues.

**INSTALLATION MUST COMPLY WITH ALL LOCAL CODES.**





## SERVICE INSTRUCTIONS

1. TO CLEAN THE FILTER - Open housing and remove filter. Filter may be washed in your dishwasher or washed in warm soapy water, drain and re-install.
2. TO CLEAN MOTOR AND BLADE UNIT - (VM410 only) - Remove filter and disconnect the blower plug. Loosen wing nut, swing hanger rod out of the way of scroll bracket and rotate blower until the mounting flanges come free. Wipe entire unit clean with a damp cloth. Do not use a dripping wet cloth as water may enter the motor and cause damage. To prevent distortion of wheels, always handle blower by handle - not by ends.
3. TO RE-INSTALL UNIT - Reverse the procedure explained above.
4. TO CLEAN HOOD SURFACE - Use only mild soap or detergent for cleaning all hood surfaces. Dry surfaces with cloth for maximum lustre.

**CAUTION:** Do not use scouring or abrasive cleaners as these may permanently mar finish.

## VENTILATING HOOD OPERATING INSTRUCTIONS

Your Trade-Wind ventilating hood has been developed as a combination unit for use above the kitchen range.

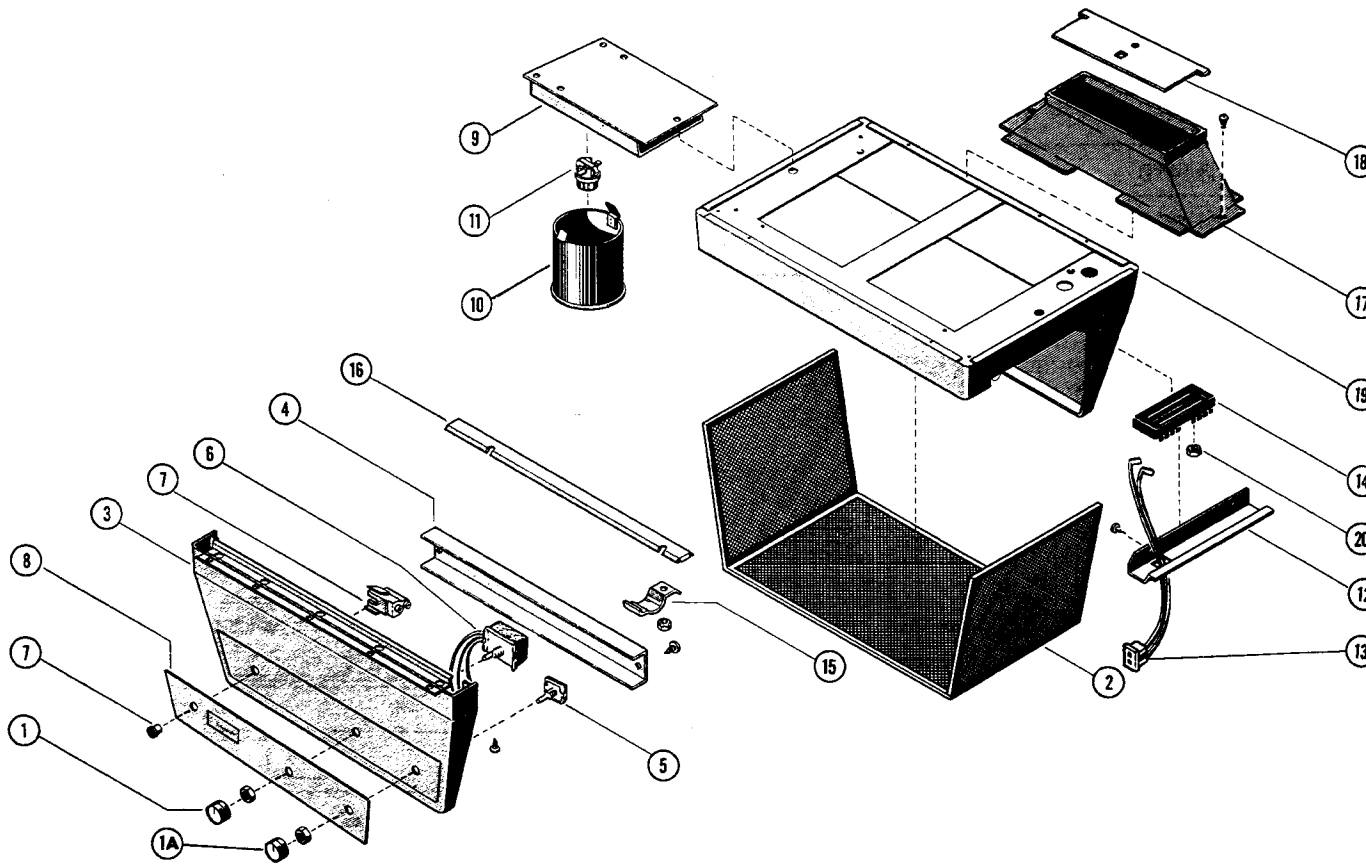
The ventilator should be turned on five minutes before cooking in order to establish air currents upward through the hood. Thus when heat, smoke, moisture, grease, and cooking odors arise, they will be carried upward and forced outside, thereby preventing their drift into other rooms.

Drafts across the stove will cause the escape of heat, smoke, moisture, grease, and cooking odors from the hood. Such drafts should be prevented insofar as possible.

The best job of ventilation in the kitchen is done where the only air currents are those created by the ventilator itself.

# REPLACEMENT PARTS

## Control Housing VCH-8 & 9



ITEM NO.	PART NO.	DESCRIPTION	QUAN.	ITEM NO.	PART NO.	DESCRIPTION	QUAN.
1	19-09-742	Knob, Exhaust Switch	1	10	19-08-475	Lamp Shade & Bezel Assy	2
1A	19-09-756	Knob, Light Switch	1	11	14-09-941	Lamp Socket	2
2	19-07-142	Filter Assembly	1	12	19-08-440	Cover, Junction Box	1
3	19-07-026	Housing, Door Weld Assy	1	13	19-95-044	Convenience Outlet Assy.	1
4	19-08-336	Switch Box	1	14	19-08-455	Terminal Board Assembly	1
5	19-19-021	Switch, Light	1	15	19-09-533	Spring, Door	2
6	19-19-104	Switch, Blower	1	16	19-08-448	Cover, Wire	1
7	19-19-113	Light, Pilot With Lens	1	17	19-08-001	Shutter Hsg. Weld Assy.	1
8	19-09-527	Nameplate, Control Panel	1	18	19-03-300	Shutter	1
9	19-08-476	Lamp Box Assembly	2	19	19-08-453	VCH Housing Weld Assy.	1

# INSTRUCTIONS

## Hood Series H-64

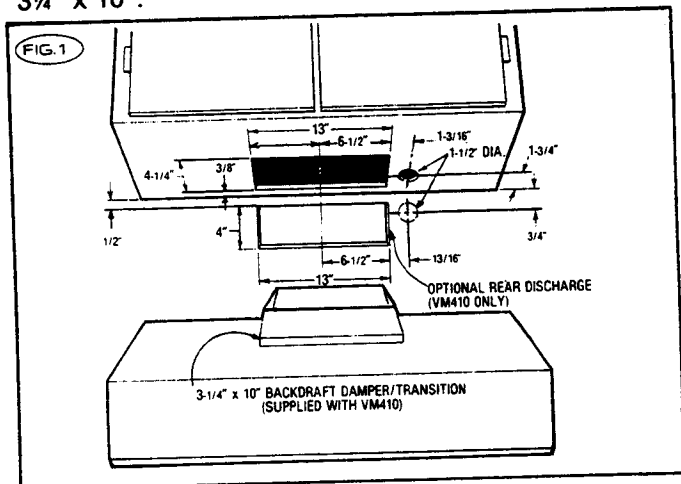
### INSTALLATION INSTRUCTIONS

Before cutting into cabinets, it is necessary to know the correct ventilator to be used. These hoods are designed for use with any of three ventilators listed below:

MODEL	REFER TO
VM410	FIG. 1
VR600 VR1000	FIG. 2

#### VM410 DUCTING

Use 3 1/4" x 10" or 7" round with 1255-7 transition at hood. Roof Jack 1255-6 for 3 1/4" x 10" or 7" round. Wall Cap 1255-1 for 3 1/4" x 10". Elbow 1255-7 for 3 1/4" x 10".

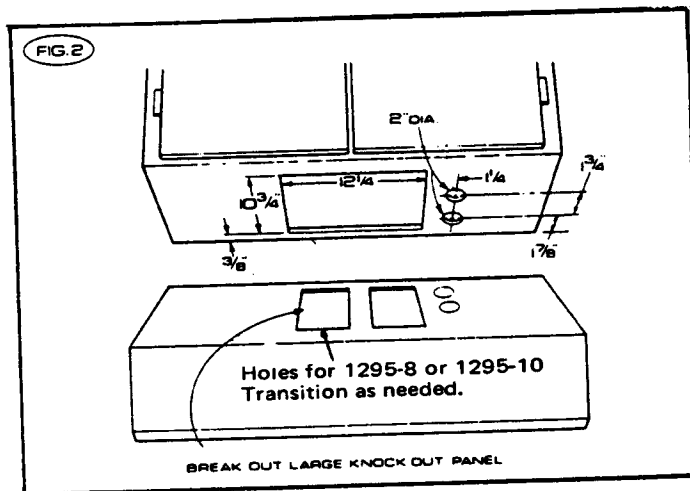


#### VR600 DUCTING

Use 8" round duct with 1295 -5 transition at hood. Attach transition to hood before installation.

#### VR1000 DUCTING

Use 10" round duct with 1295-10 transition at hood. Attach transition to hood before installation.



Remove 2 shipping screws from inside each lamp shade. Attach hood to cabinet with screws provided. Connect 120 Volts 60 Hz. power through rear conduit hole, black to black, white to white, per code.

Recommended height from counter top to top of hood: Over Range or Cooktop — 30" to 40". Recommended for use only over conventional domestic gas or electric cooking appliances. Not recommended over solid fuel fired barbecues.

Installation must comply with all local codes.

NOTE: Be sure all dampers are free to open.

### SERVICE INSTRUCTIONS

1. TO CLEAN THE FILTERS - Open housing door and remove filter. Filter may be washed in your dishwasher or wash in warm soapy water, drain and re-install.
2. TO CLEAN MOTOR AND BLADE UNIT - (VM410 only) - Remove filter and disconnect the blower plug. Loosen wing nut, swing hanger rod out of way of scroll bracket and rotate blower until the mounting flanges come free. Wipe entire unit clean with a damp cloth. Do not use a dripping wet cloth as water may enter the motor and cause damage. To prevent distortion of wheels, always handle blower by handle - not by ends.
3. TO RE-INSTALL UNIT - Reverse the procedure explained above.
4. TO CLEAN HOOD SURFACE - Use only mild soap or detergent for cleaning all hood surfaces. Dry surfaces with cloth for maximum lustre.

10 CAUTION: Do not use scouring or abrasive cleaners as these may permanently mar finish.

## **VENTILATING HOOD OPERATING INSTRUCTIONS**

Your Trade-Wind ventilating hood has been developed as a combination unit for use above the kitchen range.

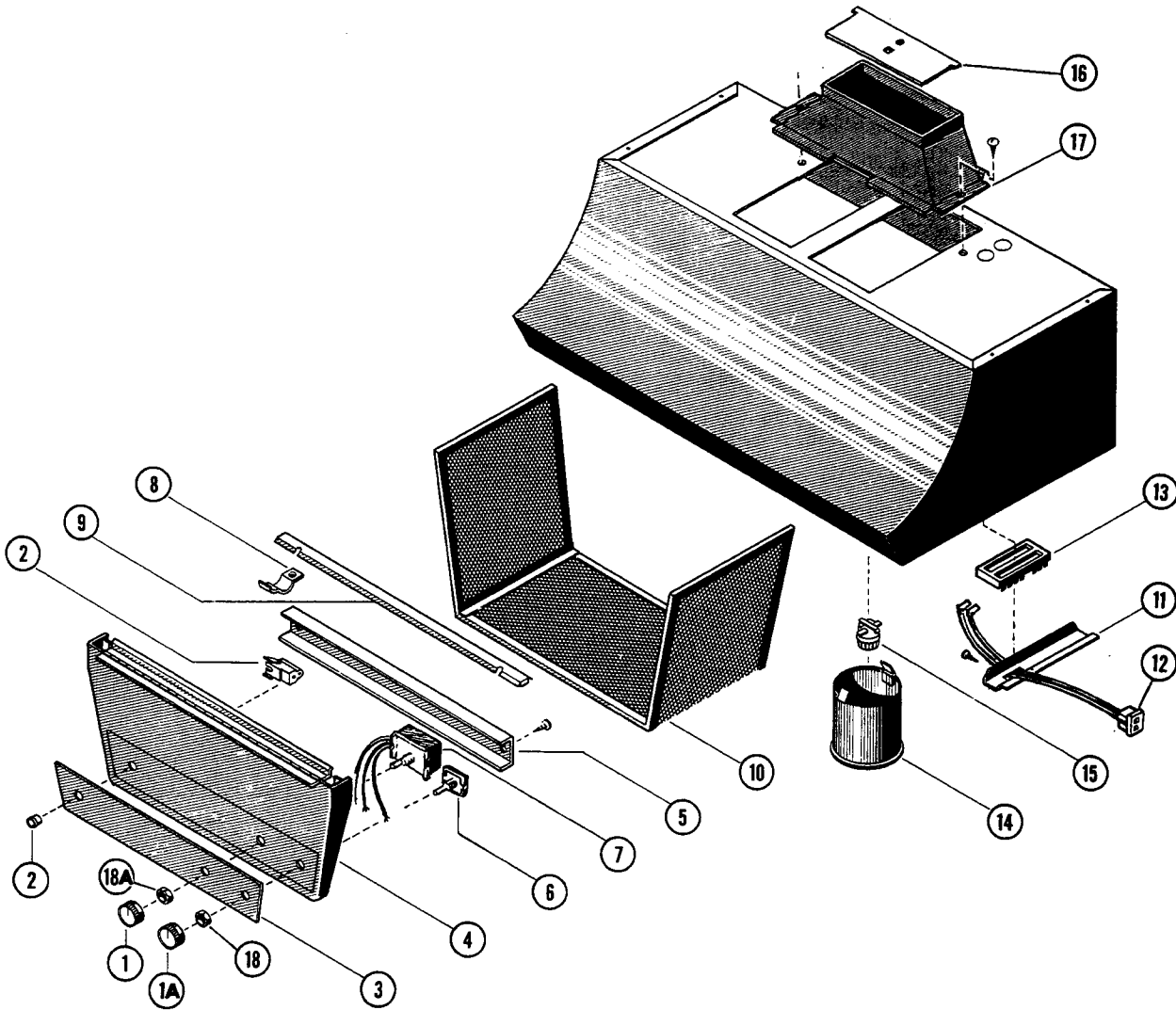
The Ventilator should be turned on five minutes before cooking in order to establish air currents upward through the hood. Thus when heat, smoke, moisture, grease, and cooking odors arise, they will be carried upward and forced outside, thereby preventing their drift into other rooms.

Drafts across the stove will cause the escape of heat, smoke, moisture, grease, and cooking odors from the hood. Such drafts should be prevented insofar as possible.

The best job of ventilation in the kitchen is done where the only air currents are those created by the ventilator itself.

# REPLACEMENT PARTS

## Hood Series H-64



ITEM NO.	PART NO.	DESCRIPTION	QUAN.
1	19-09-742	Knob, Exhaust Switch	1
1A	19-09-756	Knob, Light Switch	1
2	19-19-113	Light, Pilot with Lens	1
3	19-09-527	Nameplate, Control Panel	1
4	19-07-026*	Door Housing Weld Assy.	1
5	19-08-336	Switch Box	1
6	19-19-021	Switch, Light	1
7	19-19-104	Switch, Exhaust	1
8	19-09-533	Spring, Door Housing	2
9	19-08-488	Wire Cover	1
10	19-07-142	Filter Assembly	1
11	19-08-440	Cover, Junction Box	1
12	19-95-044	Convenience Outlet	1
13	19-08-455	Terminal Board Assy.	1
14	19-08-475	Lampshade & Bezel Assy.	2
15	14-09-941	Lamp Socket	2
16	19-03-300	Shutter	1
17	19-08-001	Shutter Housing Weld As.	1
18	19-19-038	Nut, Light Switch	1
18A	19-19-103	Nut, Exhaust Switch	1
	19-07-028*	Lamp Box Assy.**	2

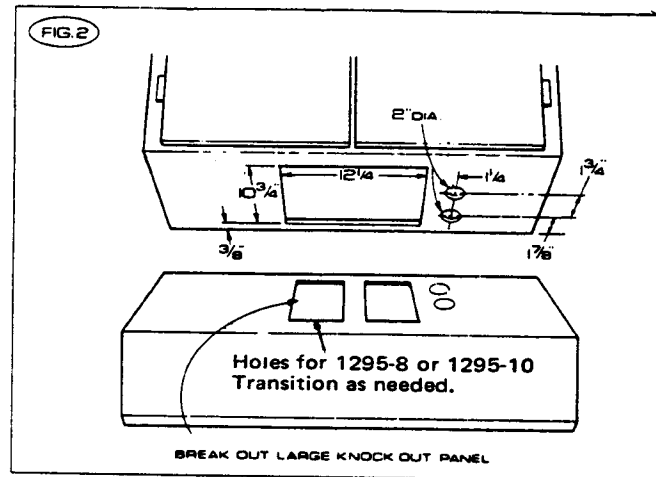
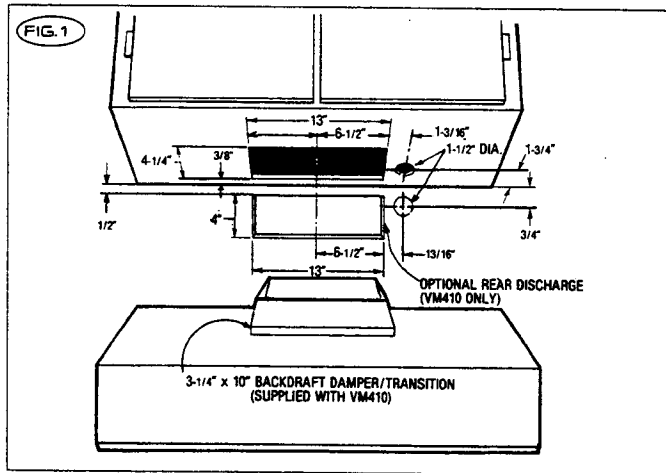
\*="Specify Color" \*\*=Not Shown

# INSTRUCTIONS

## Hood Series H-65

### INSTALLATION INSTRUCTIONS

Before cutting into cabinets, it is necessary to know the correct ventilator to be used. The hoods are designed for use with any one of three ventilators listed below:



#### VM410 DUCTING

Use 3 1/4" x 10" or 7" round with 1255-17 transition at hood. Roof Jack 1255-6 for 3 1/4" x 10" or 7" round. Wall Cap 1255-1 for 3 1/4" x 10". Elbow 1255-7 for 3 1/4" x 10".

MODEL	REFER TO
VM410	FIG. 1
VR600 VR1000	FIG. 2

#### VR600 DUCTING

Use 8" round duct with 1295-8 transition at hood. Attach transition to hood before installation.

#### VR1000 DUCTING

Use 10" round duct with 1295-10 transition at hood. Attach transition to hood before installation.

Remove 2 shipping screws from inside each lamp shade. Attach hood to cabinet with screws provided. Connect 120 Volts, 60 Hz. power through rear conduit hole, black to black, white to white, per code.

Recommended height from countertop to top of hood: Over Thermador Griddle 'n Grill — 37" Min. to 45"; Over Range or Cooktop — 30" to 40". Recommended for use only over conventional domestic gas or electric cooking appliances. Not recommended over solid fuel fired barbecues.

### INSTALLATION MUST COMPLY WITH ALL LOCAL CODES.

Hood splash panel with racks is mounted on wall below hood. Insert splash panel flange behind hood back and secure to wall with 4 screws provided.

NOTE: On H6530 **ONLY** - racks are shipped installed backwards - remove and reverse.

To remove racks from spring clips raise to vertical position and give sharp rap downward.

NOTE: Be sure all dampers are free to open.

## SERVICE INSTRUCTIONS

**TO CLEAN THE FILTERS** - Open Housing Door and remove filter. Filter may be washed in your dishwasher or washed in warm soapy water, drain and re-install.

**TO CLEAN MOTOR AND BLADE UNIT** - (VM410 only) - Remove filter and disconnect the blower plug. Loosen wing nut, swing hanger rod out of the way of scroll bracket and rotate blower until the mounting flanges come free. Wipe entire unit with a damp cloth. Do not use a dripping wet cloth as water may enter the motor and cause damage. To prevent distortion of wheels, always handle blower by handle - not by ends.

**TO CLEAN HOOD SURFACE** - Use only mild soap or detergent for cleaning all hood surfaces. Dry surfaces with cloth for maximum lustre.

**CAUTION:** Do not use scouring or abrasive cleaners as these may permanently mar finish.

## VENTILATING HOOD OPERATING INSTRUCTIONS

Your Trade-Wind ventilating hood has been developed as a combination unit for use above the kitchen range.

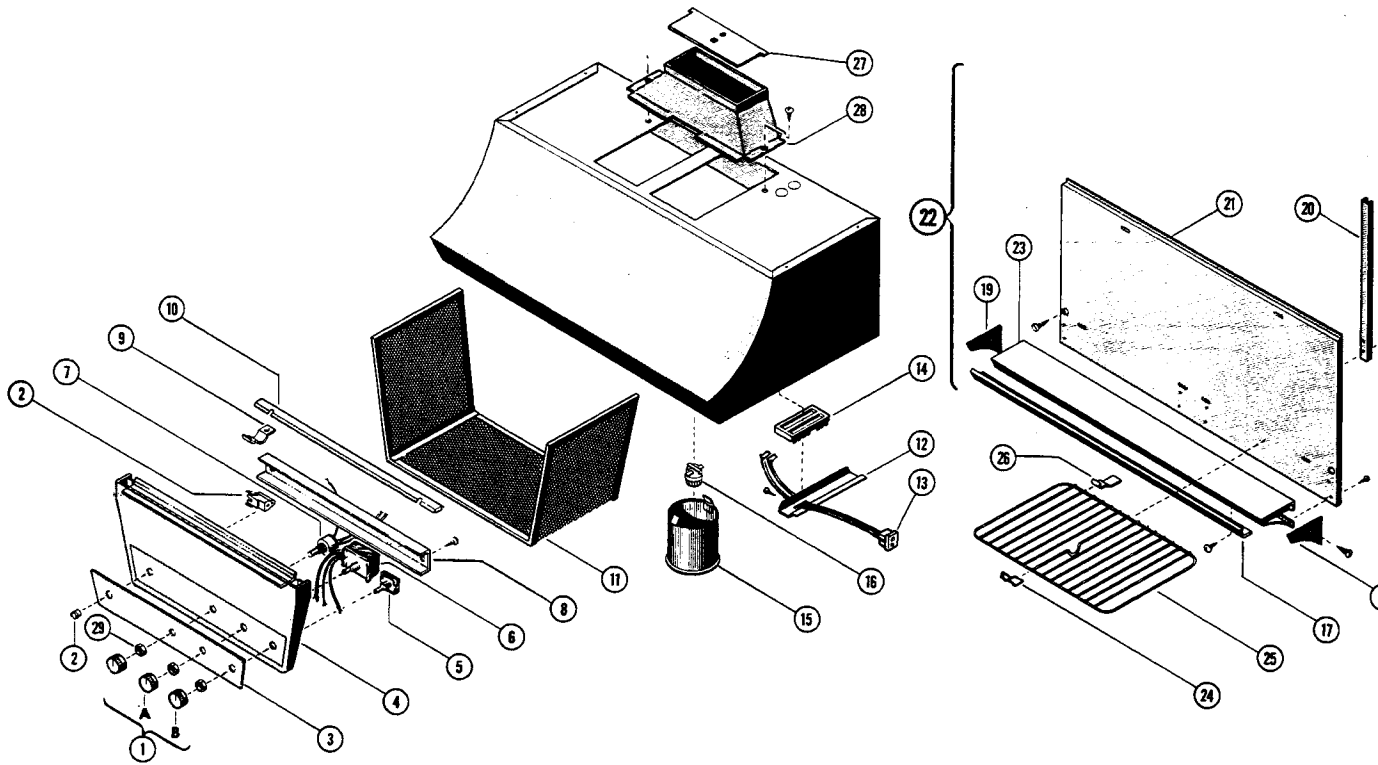
The ventilator should be turned on five minutes before cooking in order to establish air currents upward through the hood. Thus when heat, smoke, moisture, grease, and cooking odors arise, they will be carried upward and forced outside, thereby preventing their drift into other rooms.

Drafts across the stove will cause the escape of heat, smoke, moisture, grease, and cooking odors from the hood. Such drafts should be prevented insofar as possible.

The best job of ventilation in the kitchen is done where the only air currents are those created by the ventilator itself.

# REPLACEMENT PARTS

## Hood Series H-65

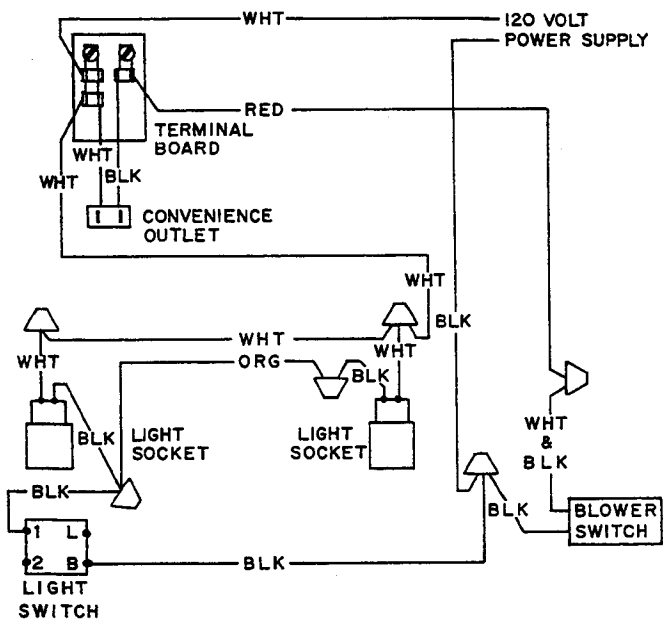


ITEM NO.	PART NO.	DESCRIPTION	QUAN.	ITEM NO.	PART NO.	DESCRIPTION	QUAN.
1	13-09-333	Knob, Keep Hot Switch	1	20	19-07-061	Stiffener	2
1A	19-09-742	Knob, Exhaust Switch	1	21	19-08-319	Splash Panel - 30"	1
1B	19-09-756	Knob, Light Switch	1	21	19-08-320	Splash Panel - 36"	1
2	19-19-113	Pilot Light with Lens	1	21	19-08-321	Splash Panel - 42"	1
3	19-09-536	Nameplate, Control Panel	1	21	19-08-322	Splash Panel - 48"	1
4	19-07-026*	Door Housing Weld Assy.	1	22	19-07-064	Splash Panel Assy.-30"	1
5	19-19-021	Switch, Light	1	22	19-07-065	Splash Panel Assy.-36"	1
6	19-19-104	Switch, Exhaust	1	22	19-03-938	Splash Panel Assy.-42"	1
7	19-09-535	Switch, Keep Hot	1	22	19-03-939	Splash Panel Assy.-48"	1
8	19-08-336	Switch Box	1	23	19-08-311	Shelf Weld Assy.-30"	1
9	19-09-533	Spring, Door	2	23	19-08-312	Shelf Weld Assy.-36"	1
10	19-08-448	Cover, Wire	1	23	19-08-313	Shelf Weld Assy.-42"	1
11	19-07-142	Filter Assembly	1	23	19-08-314	Shelf Weld Assy.-48"	1
12	19-08-440	Junction Box Cover	1	24	19-09-508	Spring, Wire	2
13	19-95-044	Convenience Outlet	1	25	19-09-509	Rack, Wire	2
14	19-08-455	Terminal Board Assy.	1	26	19-09-507	Spring, Flat	4
15	19-08-475	Lampshade & Bezel Assy.	2	27	19-03-300	Shutter	1
16	14-09-941	Lamp Socket	2	28	19-08-001	Shutter Housing Weld Assy	1
17	19-08-315	Shelf Trim - 30"	1	29	19-19-036	Nut, Keep Hot Switch	1
17	19-08-316	Shelf Trim - 36"	1	29A	19-19-103	Nut, Exhaust Switch	1
17	19-08-317	Shelf Trim - 42"	1	29B	19-19-038	Nut, Light Switch	1
17	19-08-318	Shelf Trim - 48"	1	34	19-07-050*	Lamp Box, Right Hand **	1
18	19-03-905	End Cap, Right Hand	1	34	19-07-051*	Lamp Box, Left Hand **	1
19	19-03-906	End Cap, Left Hand	1				

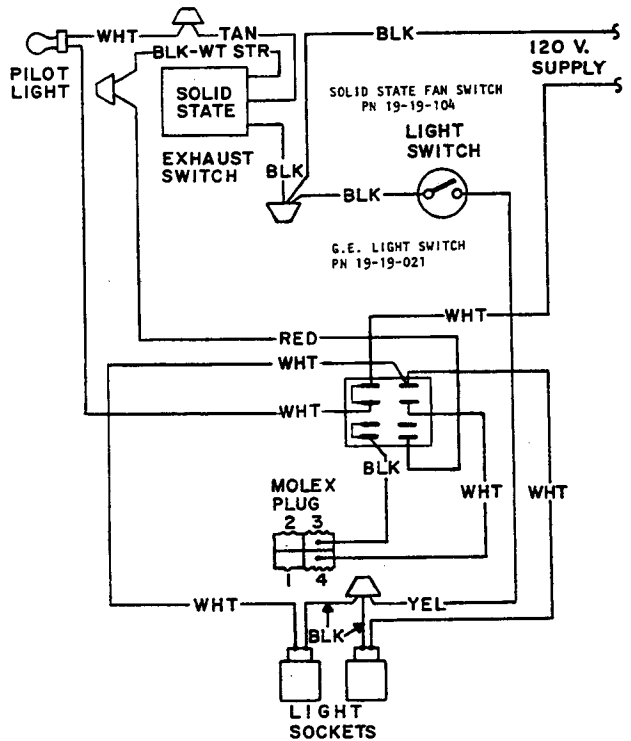
\*="Specify Color" \*\*="Not Shown"



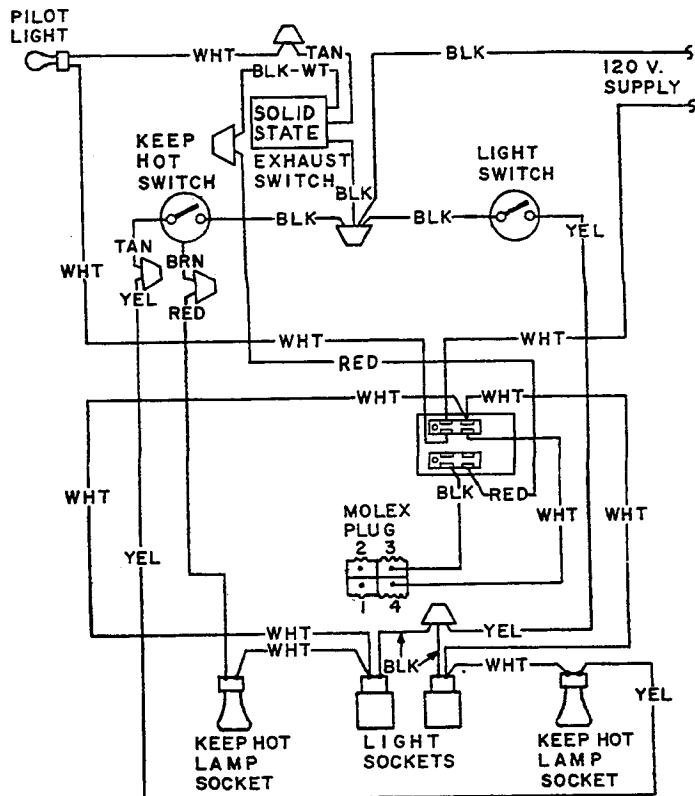
# WIRING DIAGRAMS



VCH-3 CONTROL HOUSING



VCH-8 & 9 HOUSING AND H-64 HOOD



H-65 HOOD

**Thermador**<sup>®</sup>  
CORPORATION

5551 MCFADDEN • HUNTINGTON BEACH, CALIFORNIA 92649 • TELEPHONE: 1(800) 735-4328

Lit. No. 97-01-002B

March, 1999